

QG-T

Dual Spectrum Thermometry High Speed PTZ Camera

QG-T is equipped intelligent fire detection function of the high speed infrared PTZ camera, with wiper, IR up to 50m.



Intelligent Fire Detection

Based on advanced intelligent algorithm to avoid fire incident.



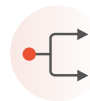
Perfect Software Access Function

Support kinds of network protocols for easily access third party.



High Accurate & High Speed Camera

Pan: $0.01^{\circ}\sim 180^{\circ}/s$, tilt: $0.01^{\circ}\sim 130^{\circ}/s$ high speed rotation, preset: $\pm 0.1^{\circ}$.



Dual-Channel with Single IP

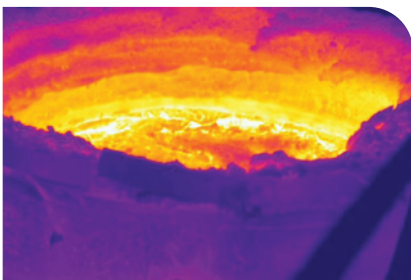
It is easy for integrated third party, day and infrared views simultaneously with one IP only.



Multiple Functions

Including IP66 protection level, wiper, IR with one PTZ only.

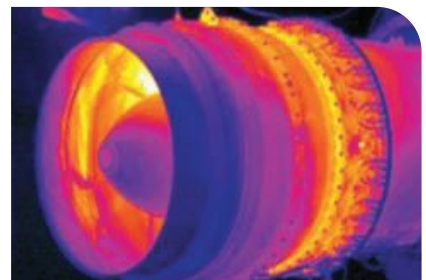
Applications



Energy & Chemical



Fire Detection



Scientific Research

Specifications

Thermal Module		QG3-T				QG6-T		
Detector		VOx Uncooled FPA						
Resolution/Pixel pitch		384x288/17µm			640x480/17µm			
NETD		<50mK@ 25°C						
Spectral range		8-14µm						
Focus Method		Manual/Motorized(auto focus)						
Focal Length		6.6mm (QG3)	10m	15m	19m	25m	40m	50m
FOV	QG3-T	52.6*40.7	37.5*28.6	24.5*18.5	19.4*14.6	14.8*11.1	9.3*7	7.4*5.6
	QG6-T	/	59*46	39.8*30.4	31.9*24.2	24.5*18.5	15.8*11.6	12.4*9.3
Image adjustment		Auto/Manual adjustment for contrast ratio & brightness & acutance						
Uniformity correction		Auto/Manual shutter correction						
Optical Module								
Image Sensor		1/1.8" Progressive Scan CMOS						
Resolution		2560(H)×1440(V)						
Focal Length&Zoom		6.5-240mm, 37X						
FOV		70.0-2.51(wide to narrow)						
IR Range		50m						
Image Effect								
Thermal image process		AGC, IDE,3DNR,HDR						
Color Palette		Optional 9 color palettes(rust, rainbow, white/black, etc.)						
Temperature measurement								
Temperature Range		-20°C~+400°C						
Temperature Accuracy		± 2°C						
Temperature Measurement		Multiple temperature measurement rule types (points, areas, lines etc).						
PTZ								
Movement range		Pan:360° continuous; Tilt:-15°~+90°						
Presets		200						
Auto Horizontal Scan		Preset patrol / Auto line scanning & etc						

Video and Audio

Video Compression	H.264 / H.265	
Main-Stream (Visible)	2560*1440,1920*1080,1280*720	
Sub-stream (Visible)	704*576,640*480,352*288	
Main-Stream (Thermal)	720*576	640*480
Sub-stream (Thermal)	352*288	352*288
Audio compression	G.711	

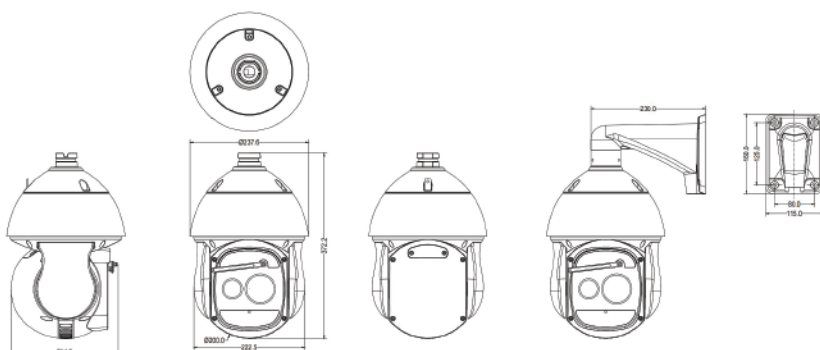
Network

Protocols	TCP/IP,ICMP,HTTP,DHCP,DNS,RTP,RTSP,RTCP,IGMP,802.1X, ONVIF(ProfileS)
API	SDK, third-party management platform, ONVIF
Common function	Hearbet, password protection, multi-user access control
Security	Support password protection, bonding MAC ID, IP filtration
Simultaneous Live View	10 channels
User/Host level	Up to 10 users, 3 levels: Administrator, Operator, General

General

Alarm	1x ch input, 1x ch output
Audio	1x ch input, 1x ch output
Serial port	1x ch RS485
Communication Interface	RJ45 10M/100M/1000M self-adaptive Ethernet
Storage	Micro-SD(FT), up to 64GB
Power Supply	AC 24V,3A
Power Consumption	<36W
Work Temperature/Humidity	-20°C~+60°C (customized -40°C), <90%RH
Storage temperature	-45°C ~ +75°C
Protection	IP66
Reliability	TVS 6000V lightning protection, surge protection, voltage transient protection
Material	Aluminium alloy
Dimension	Ø237.6mm*373mm
Weight	<5.5Kg(with bracket)

Dimension



ThermTec Technology Co., Ltd.

Email: info@thermeyertec.com

Website: <https://www.thermeyertec.com>